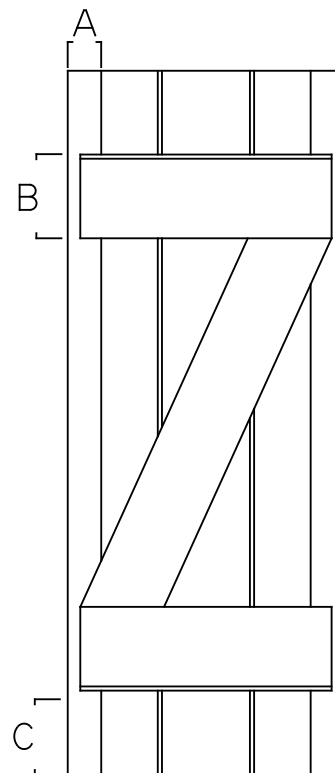
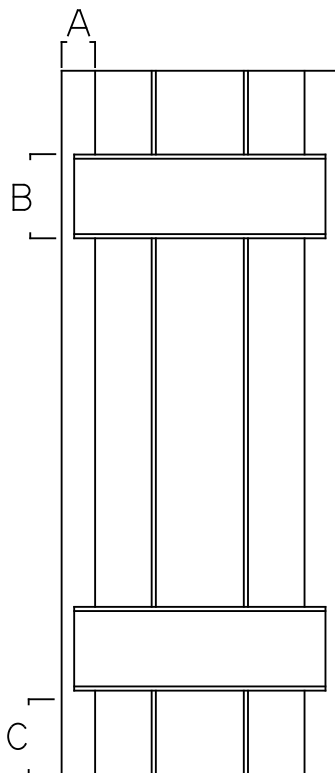


# Classic Board And Batten

Standards Unless Otherwise Specified

Implied Board Widths Vary By Request.

	Impact		Non Impact
A. Vertical Stile Width	2"		2"
B. Batten Width	5"		5"
C. Batten Placement	5"		5"
Thickness	1¼"		1¼"
Maximum Panel Size	30" 120"	Width Height	30" 120"



With Optional Crossbuck